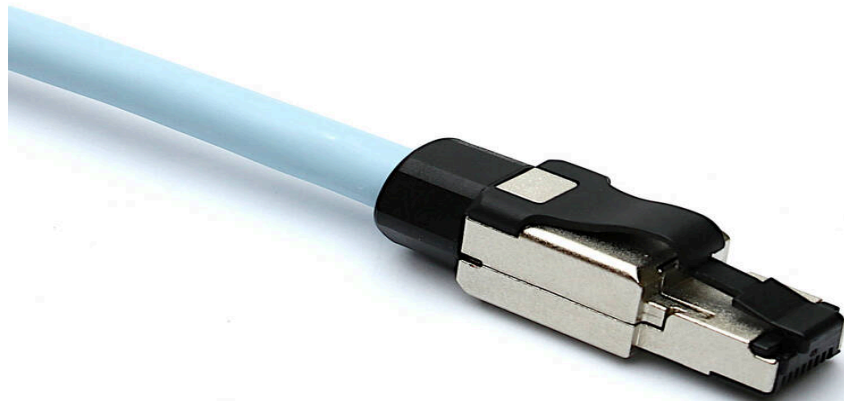


Excel Cat6A Screened Mini Field Installation Plug (6-Pack)

Part Code: 100-940-06

sales@excel-networking.com
excel-networking.com



Main Features

- / Fully screened Cat6A
- / Toolless (easy termination)
- / Independently verified
- / Die-cast zinc alloy construction
- / Supports 10 Gigabit Ethernet
- / Can be re-terminated numerous times

Product Overview

This mini screened field termination RJ45 plug offers easy, toolless termination, and it complies fully with ISO/IEC 11801, Cat6A and ANSI/TIA-568-C.2 standards. It offers a fully shielded die-cast zinc alloy, nickel plated body and gold plated phosphor bronze contact pins.

Suitable for cable diameters between 6 mm and 9.2 mm, strain relief is provided by the compression nut on the back of the connector. IDC termination accepts wire gauges from 22 to 26AWG as solid or stranded cable.

Excel Cat6A Screened Mini Field Installation Plug (6-Pack)

Part Code: 100-940-06

sales@excel-networking.com
excel-networking.com

Product Specifications

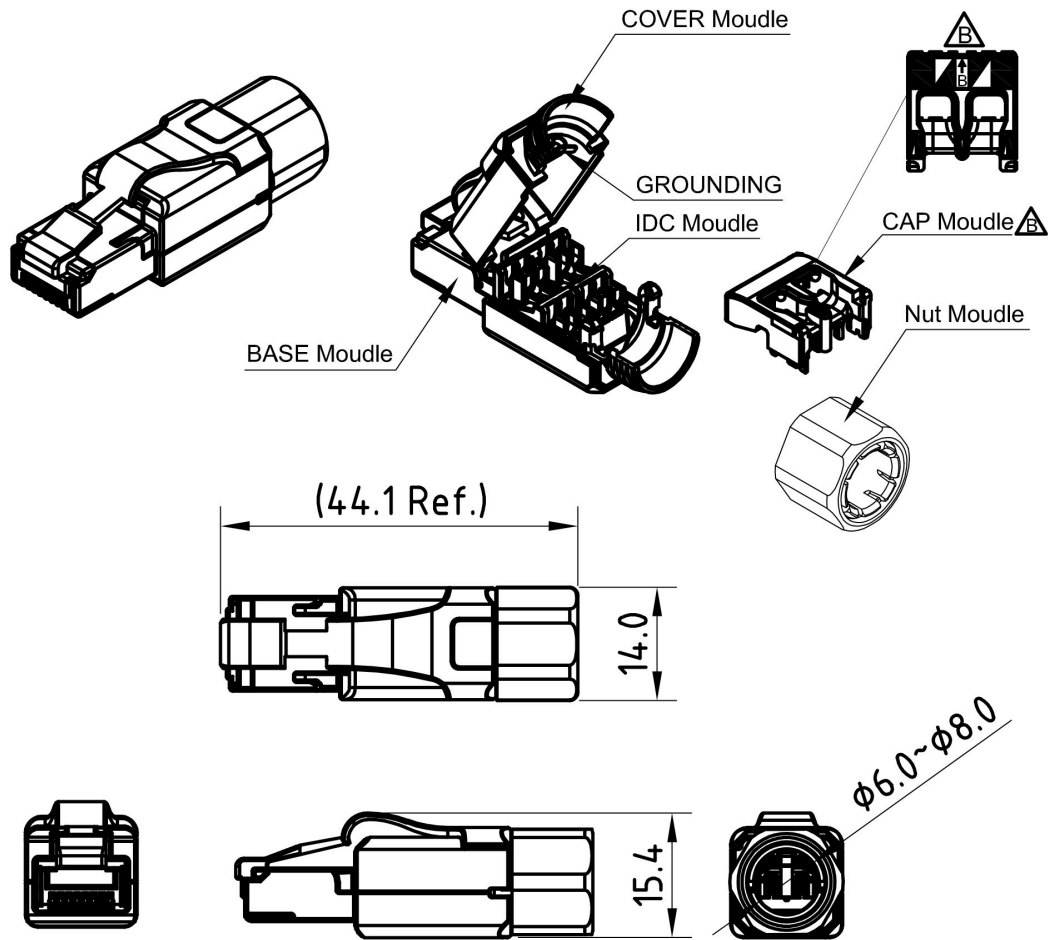
Feature	Values
Model	Plug (Male)
Type of connector	RJ45 8(8)
Shielded	yes
Category	6A (IEC)
Connection type	Crimp
Requires termination tool	no
Suitable for round cable	yes
Suitable for flat cable	no
Suitable for stranded core	yes
Suitable for solid cores	yes
Colour	Silver

Excel Cat6A Screened Mini Field Installation Plug (6-Pack)

Part Code: 100-940-06

sales@excel-networking.com
excel-networking.com

Product drawings



Additional specifications

Feature	Value
Electrical insulation resistance	500 M Ω @ 100 VDC
Dielectric withstanding voltage	1000 VDC or AC Peak
Contact-to-contact	1500 VDC or AC Peak

Excel Cat6A Screened Mini Field Installation Plug (6-Pack)

Part Code: 100-940-06

sales@excel-networking.com
excel-networking.com

Contact-to-shield	60Hz for 1 minute
Housing material	Zinc alloy die-cast
Finish	Nickel plate
Contact pin	Phosphor bronze, 50 µin gold plating
IDC	Phosphor bronze, 100 µin 100% Sn alloy
Width	14.0 mm
Depth	44.1 mm
Height	15.4 mm

Standards

Applicable standard	Detail
ISO/IEC 11801-1:2017	Information technology - Generic cabling for customer premises: Part 1 General Requirements
EN 50173-1:2018	Information technology. Generic cabling systems - General requirements
ANSI/TIA 568-2.D	Balanced Twisted-Pair Telecommunications Cabling and Components Standards
IEC 60603-7-51	Connectors for electronic equipment - Part 7-51: Detail specification for 8-way, shielded, free and fixed connectors, for data transmissions with frequencies up to 500 MHz
EIA/TIA-1096-A:2008-03-17	Telecommunications Telephone Terminal Equipment Connector Requirements for Connection of Terminal Equipment to the Telephone Network
Directive 2011/65/EU (RoHS II)	Restriction of the Use of Certain Hazardous Substances in Electrical and Electronic Equipment — compliant. Applies within EU member states).
Directive (EU) 2015/863 (RoHS III)	Amending Directive 2011/65/EU to add four phthalates

Excel Cat6A Screened Mini Field Installation Plug (6-Pack)

Part Code: 100-940-06

sales@excel-networking.com
excel-networking.com

	(DEHP, BBP, DBP, DIBP) to Annex II — compliant.
Directive 2008/98/EC (WFD)	Waste Framework Directive — compliant. Implemented in the UK through the Waste (England and Wales) Regulations 2011 (SI 2011 No. 988).
ECHA SCIP Database	Compliant; product does not contain SVHCs (Substances of Very High Concern) as defined under REACH Article 33(1). Submission obligations met under EU REACH and UK REACH.
Regulation (EU) 2019/1021 (POPs)	EU Regulation on Persistent Organic Pollutants — compliant. For Great Britain, compliance is aligned with the Persistent Organic Pollutants (Amendment) (EU Exit) Regulations 2020 (SI 2020 No. 1355).
UK SI 2012 No. 3032	The Restriction of the Use of Certain Hazardous Substances in Electrical and Electronic Equipment Regulations 2012 (UK RoHS) — compliant for Great Britain. Retained EU law, as amended by the Product Safety and Metrology (Amendment etc.) (EU Exit) Regulations 2019.

Part Code Table

Part Code	Description
100-940-06	Excel Cat6A Screened Mini Field Installation Plug (6-Pack)