



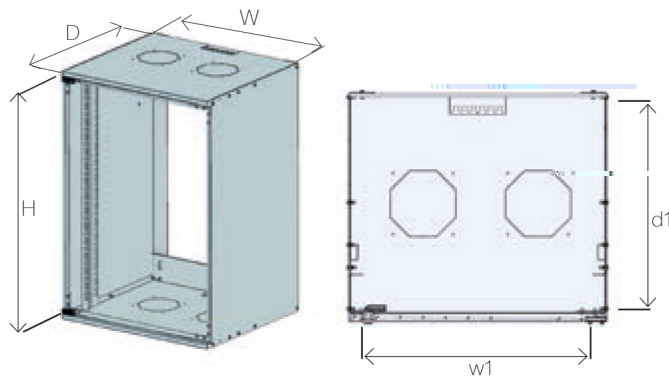
## 19" SOHO Cabinet

### Technical Features

Material	1,2 mm steel
Color	RAL 7035 or RAL 9005
Maximum Static Load	Up to 50 kg.
Finish	Electrostatic Powder Paint

### Standard Configuration:

- Steel frame
- Glass door with cylindrical lock
- 1 Pair of heavy duty 19" mounting rails
- Flatpack option available
- Low cost alternative
- RoHS compliant, UL certificated



### Order Information

Height U	Outer Width (W) mm	Outer Depth (D) mm	Outer Height (H) mm	Inner Width (w1) mm	Inner Depth (d1) mm	Inner Height (h1) mm	Weight kg	Part No.
6	500	450	336	478	422	275	5,89	WCS-X-0554A
9	500	450	469	478	422	408	7,97	WCS-X-0954A
12	500	450	603	478	422	543	10,05	WCS-X-1254A

(Color code): 7:RAL 7035 Light Grey 9:RAL 9005 Black