

Industrial IP67 802.3bt PoE++ Splitter (DC 12V, -40~75 degrees C)

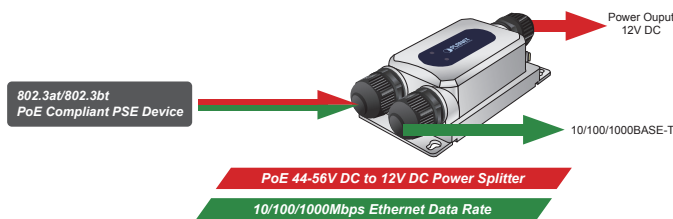


Highly Convenient and Robust Industrial PoE++ Splitter

To fulfill the growing outdoor PoE applications, PLANET IPOE-175S is an Industrial-grade, IP67-rated 802.3bt Power over Ethernet Splitter which delivers the Ethernet digital data and PoE power from an 802.3bt PoE++ PSE (power source equipment) over a UTP cable. It enables to deliver of a maximum of 60-watt 12V DC power output to a non-PoE powered Ethernet device. Also, supports passive 10/100/1000Mbps Ethernet connection and distance up to 100 meters.



The IPOE-175S is designed to work under the operating temperature range from -40 to 75 degrees C. It's an ideal solution to transfer power to a traditional network device with high power demand directly without the need to install additional power outlets, and electrical cabling in the industrial environment.



Quick and Easy 802.3bt PoE++ Network Deployment

If the existing network deployment consists of non-PoE powered devices that require high power to function, the IPOE-175S, powered by an 802.3 PoE++ power sourcing equipment, can feed the PDs with 802.3bt PoE++ as the splitter can split the data and power into two streams. The PDs get their power through the splitter's DC jack and the RJ45 interface accepts only Ethernet data. The following non-PoE PDs can be turned into a PoE++ environment with the IPOE-175S:

Physical Port

- **Two 10/100/1000BASE-T** Gigabit RJ45 ports
 - 1-port Data + Power input
 - 1-port Data output
- **One 2-pin terminal block** for power output. (12V DC, 5A)

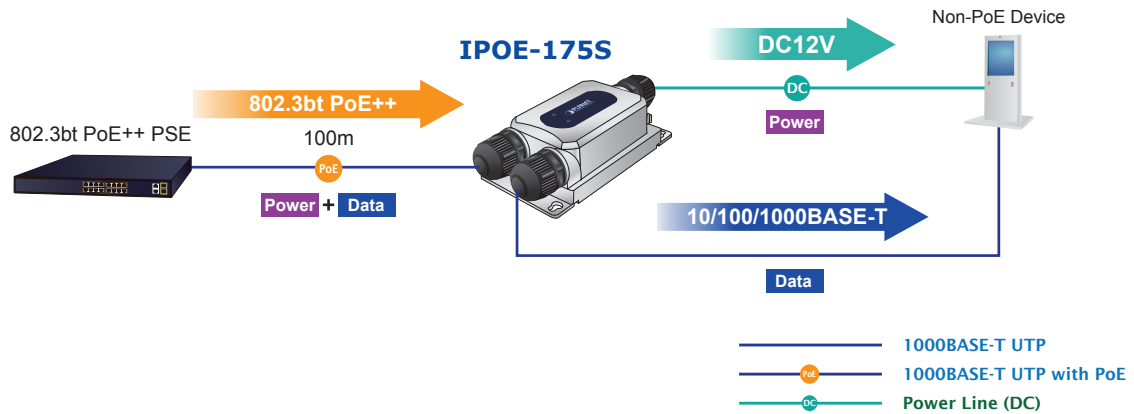
Power over Ethernet

- 1-port data + power output
 - Complies with IEEE 802.3bt Power over Ethernet plus plus PD
 - Compatible with IEEE 802.3at PoE+ PSE and IEEE 802.3bt PoE++ PSE
 - Provides DC 12V power over 2-pin terminal block to device with Ethernet port
 - Supports total PoE budget up to 60 watts for PoE output port
 - Remote power feeding up to 100m (From PSE to the splitter)

Industrial Case and Installation

- IP67-rated and IK10-rated aluminum case
- LED indicators for power LED and DC Ready
- Wall-mount design
- Supports 6KV DC Ethernet ESD protection
- -40 to 75 degrees C operating temperature
- Plug and Play installation

- PTZ speed dome camera
- Thin client
- AIO (All-in-One) touch PC
- Remote digital signage display
- Non-PoE network devices that need higher power to work normally



Weather-proof RJ45 Ethernet Connector and Shielded Plug

The IPOE-175S is ideal for installing an extended range of outdoor PoE devices such as outdoor PoE wireless access points, outdoor PoE IP cameras, outdoor PoE IP intercoms and many more. The IPOE-175S is equipped with 3 waterproof cable glands for direct-attach applications. Assembled with a waterproof cable gland, it can make the general connector weather-proof and provides a tight and strong connection. Moreover, it comes with the industrial protection rating of IP67 capable of withstanding humidity, dirt, dust, shock, vibrations, heat and cold.

Environmentally-hardened Design

With an industrial-level IP67-rated aluminum case, the IPOE-175S provides a high level of immunity against electromagnetic interference, and can protect itself from dust and water ingress, and to operate under the temperature range from -40 to 75 degrees C. All these features ensure the highest level of reliability for mission-critical applications in any difficult environment.



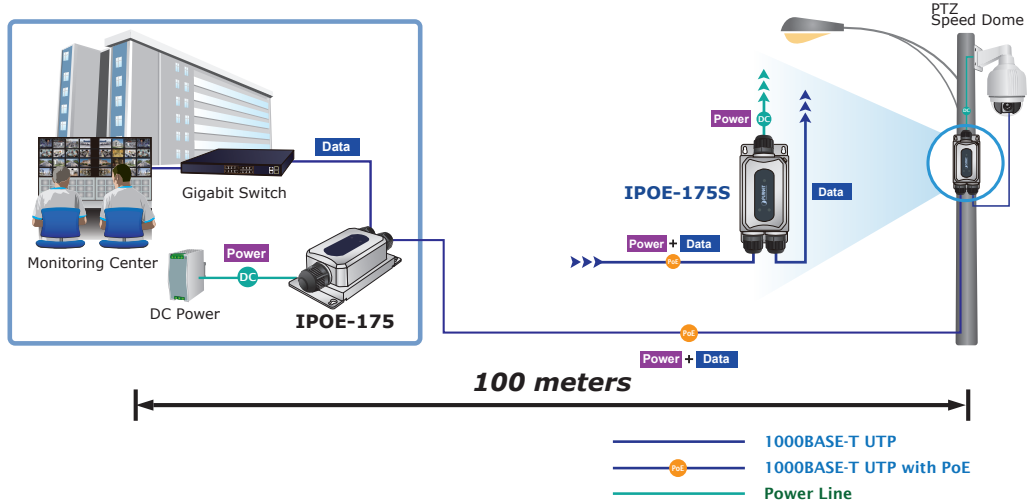
Environmental Adaptations in Outdoor Area

Robust Protections

The IPOE-175S provides ±8KV DC for Ethernet ESD protection and ±6KV surge immunity to improve product stability and protects users' networks, making sure the flow of operation does not fluctuate.

Making Network Easier and More Reliable

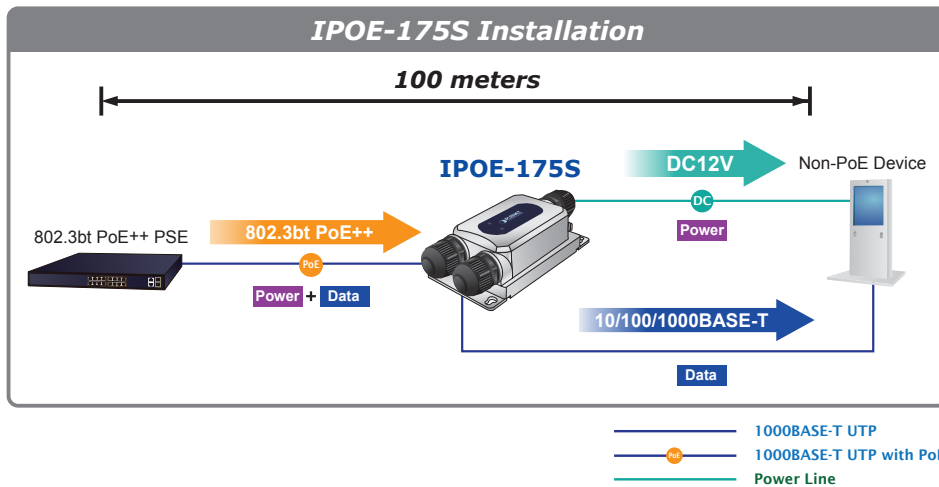
The space-saving industrial 802.3bt PoE++ splitter IPOE-175S can be placed in almost any difficult environment. It allows either DIN-rail or wall mounting for efficient use of cabinet space. Being able to operate under the temperature range from -40 to 75 degrees C, the IPOE-175S is the ideal product for co-working with an industrial 802.3bt PoE++ type-4 injector that can feed the power to non-PoE devices up to 100 meters (328 feet) away in those harsh environments.



Applications

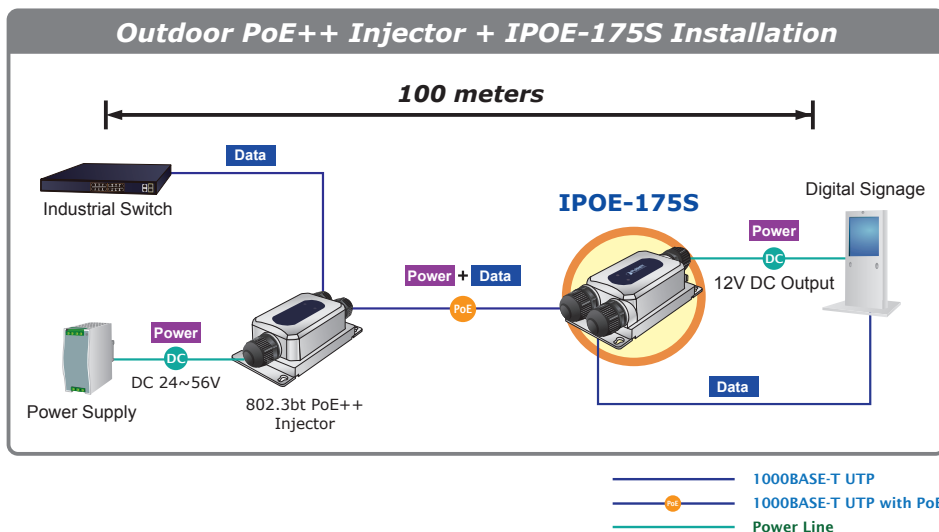
802.3bt PoE++ Switch and Splitter Installation

For a place which is hard to find the power inlet, the IPOE-175S separates digital data and power into outputs (12V DC) to non-PoE devices such as laptops, PTZ (pan, tilt & zoom) IP cameras, color touch-screen IP phones, multi-channel wireless LAN access points and other network devices at distance up to 100 meters.



IEEE 802.3bt Injector and Splitter Installation

For a place which is hard to find the power inlet, the IPOE-175 and IPOE-175S can operate as a pair to provide the easiest way to power the above-mentioned Ethernet devices that need high power consumption for any applications designed for large industries, enterprises and communities.

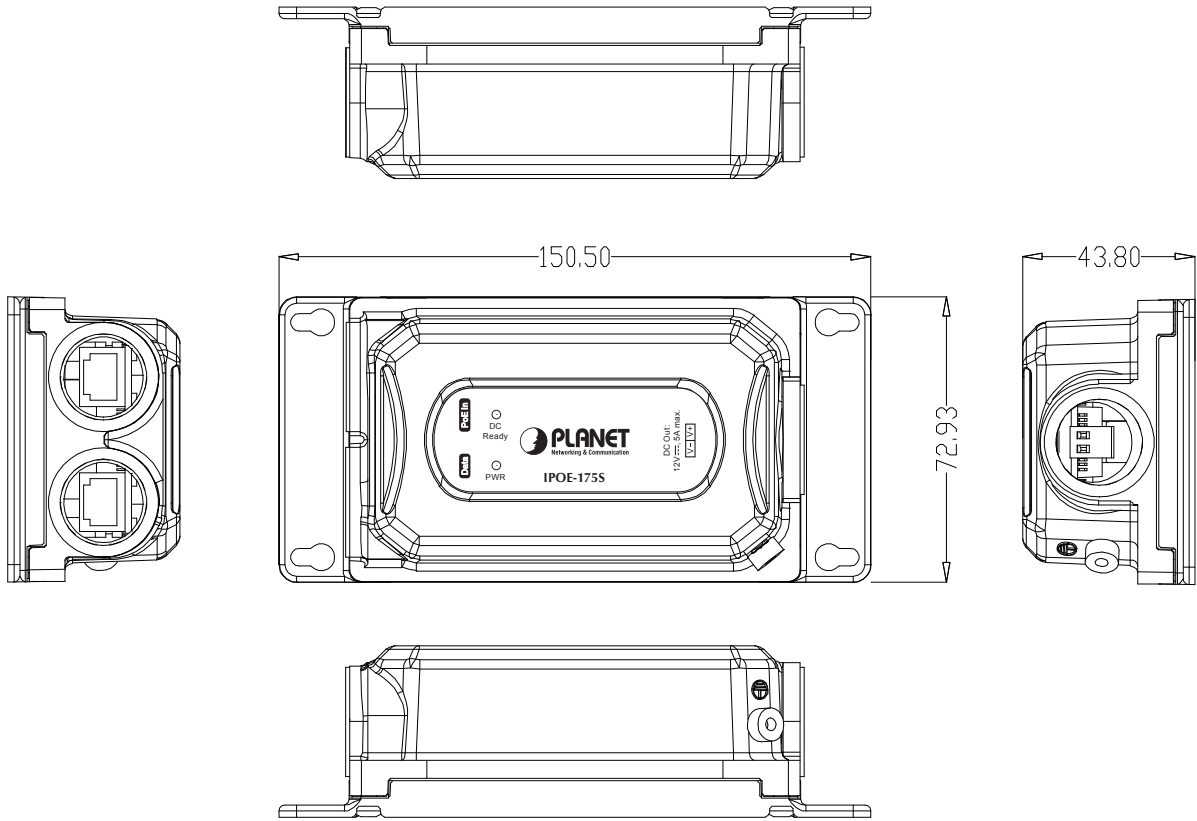


Product Specifications

Product	IPOE-175S	
Hardware Specifications		
Interface	Input Port (SFP Slot)	1 x 10/100/1000BASE-T Ethernet with IEEE 802.3bt PoE++ "PoE + Data" in RJ45 port
	Output Port	1 x 10/100/1000BASE-T "Data" out RJ45 port
	Output Power Terminal Block	1 x 2-pin terminal block "DC" out port
Data Rate	10/100/1000Mbps	
LED Indicator	PWR (Green) DC Ready x 1 (Green)	
Input Voltage	44~56V DC	
Power Requirement	4-pair 802.3at PoE+ and 802.3bt PoE++ : 52~56V DC 802.3at PoE+ : 48~56V DC	
Power Consumption	Ethernet full loading without DC output: Full loading with maximum 12V DC, 5A output: 65.6watts	
ESD Protection	Air 8KV DC Contact 6KV DC	
Surge Protection	6KV	
Enclosure	IP67-rated and IK10 aluminum case	
Installation	Wall-mount ear	
Dimensions (W x D x H)	150 x 43.8 x 72.94 mm	
	169.85 x 43.8 x 72.94 mm, with cable gland	
Weight	424g	
MTBF	>100,000 hours	
Network Cable	10BASE-T: UTP category 3,4, 5 cable (≤100m)	
	100BASE-TX: UTP category 5,5e cable (≤100m)	
	1000BASE-T: UTP category 5e,6 cable (≤100m)	
Power over Ethernet		
PoE Standard	IEEE 802.3bt PoE++ type 3 PD Backward compatible with IEEE 802.3at PoE+	
PoE Power Supply Type	802.3bt PoE++/PoH (Power over HDBaseT) 802.3at PoE+ End-span/Mid-span	
PoE Power Output	DC 12V, 5A (60W, full load)	
Power Pin Assignment	1/2 (-); 3/6 (+), 4/5 (+), 7/8 (-) or 1/2 (+); 3/6 (-), 4/5 (+), 7/8 (-)	
Standards Conformance		
Regulatory Compliance	FCC Part 15 Class A, CE	
Stability Testing	IEC 60068-2-32 (Free fall)	
	IEC 60068-2-27 (Shock)	
	IEC 60068-2-6 (Vibration)	
Protocols and Standards Compliance	IEEE 802.3 10BASE-T Ethernet	
	IEEE 802.3u 100BASE-TX Fast Ethernet	
	IEEE 802.3ab 1000BASE-T Gigabit Ethernet	
	IEEE 802.3af Power over Ethernet	
	IEEE 802.3at Power over Ethernet Plus IEEE 802.3bt Power over Ethernet Plus Plus	
Environment		
Operating Temperature	-40 ~ 75 degrees C	
Storage Temperature	-40 ~ 85 degrees C	

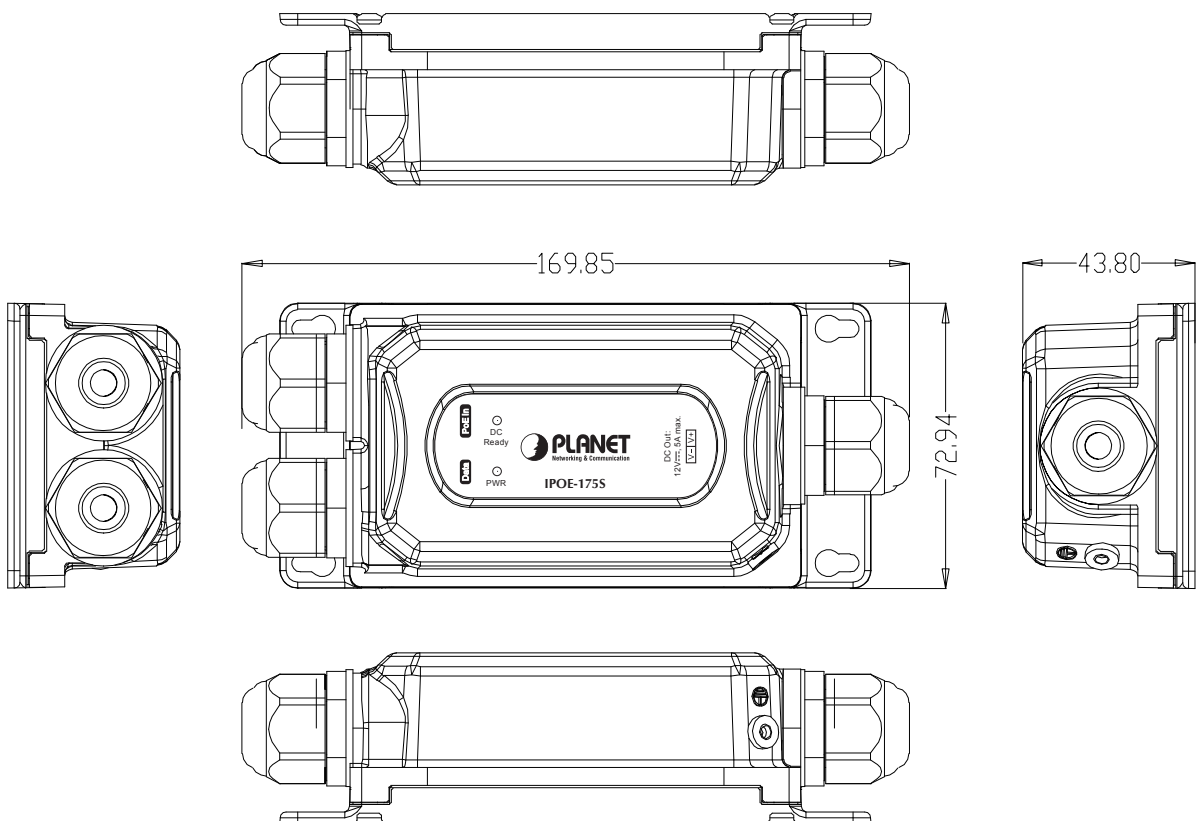
Dimensions

- IPOE-175S without waterproof cable glands



Unit: mm

- IPOE-175S with waterproof cable glands



Unit: mm

Ordering Information

IPOE-175S	Industrial IP67 802.3bt PoE++ Splitter (DC 12V, -40~75 degrees C)
-----------	---

Related Products

IPOE-175	Industrial IP67 1-Port 802.3bt PoE++ Injector (-40~75 degrees C)
IPOE-E302	Industrial IP67 1-Port 802.3bt PoE++ to 2-Port 802.3at Gigabit PoE Extender
IPOE-165	Industrial IP67 1-Port 802.3at PoE+ Injector (-40~75 degrees C)
IPOE-173S	Industrial IEEE 802.3bt PoE++ Splitter
IPOE-171-95W	Industrial Single-Port 10/100/1000Mbps 802.3bt PoE++ Injector (95 Watts, -40~75 degrees C, 12~48V DC)
IPOE-171-60W	Industrial Single-Port 10/100/1000Mbps 802.3bt PoE++ Injector (60 Watts, -40~75 degrees C)
IPOE-270 /IPOE-270-12V	Industrial 2-port Multi-Gigabit 802.3bt PoE++ Injector Hub