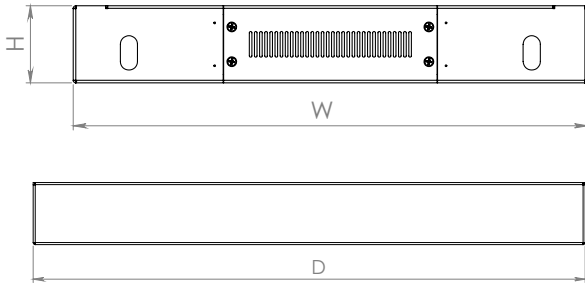
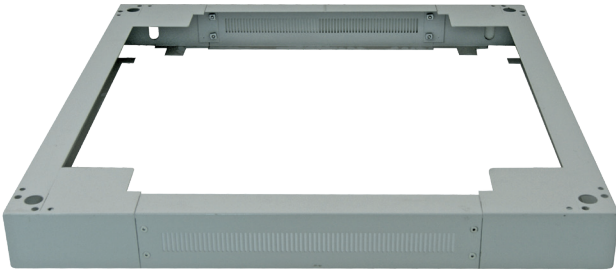


# PLINTH FOR INORAX CABINETS



<b>Material</b>	1,5 mm Steel
<b>Color</b>	RAL 7035 and RAL 9005
<b>Finish</b>	Electrostatic Powder Paint
<b>Packaging</b>	One piece in a box

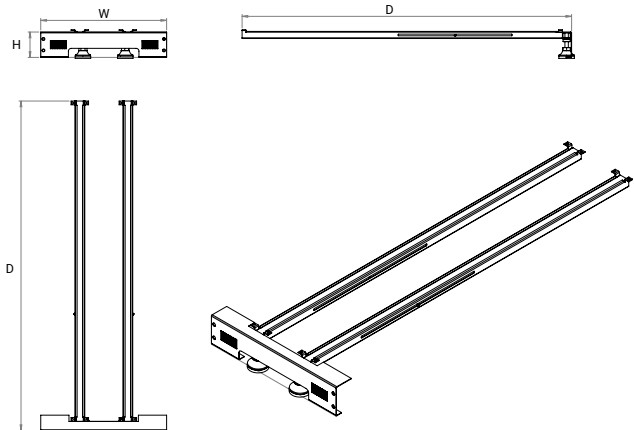
H (mm)	W (mm)	D (mm)	Weight (kg)	Part No
90	600	600	5,95	CCA-X-3001
90	600	800	7,1	CCA-X-3002
90	600	1000	7,96	CCA-X-3003
90	600	1100	8,83	CCA-X-3004
90	600	1200	9,71	CCA-X-3005
90	800	800	7,27	CCA-X-3006
90	800	1000	8,14	CCA-X-3007
90	800	1100	9,01	CCA-X-3008
90	800	1200	9,89	CCA-X-3009

# SLIDING ANTI-SWING STABILIZER



<b>Material</b>	1,5 mm Steel
<b>Color</b>	RAL 7035 and RAL 9005
<b>Finish</b>	Electrostatic Powder Paint
<b>Packaging</b>	One piece in a box

H (mm)	W (mm)	D (mm)	Weight (kg)	Part No
90	600	1000	9	CPA-X-3019
90	600	1070	10	CPA-X-3026
90	600	1200	12	CPA-X-3021
90	800	800	12	CPA-X-3022
90	800	1000	13	CPA-X-3023
90	800	1070	14	CPA-X-3027
90	800	1200	15	CPA-X-3025



X (Color code): 7:RAL 7035 Light Grey, 9:RAL 9005 Black