

ECO SINGLE WALL MOUNT CABINET

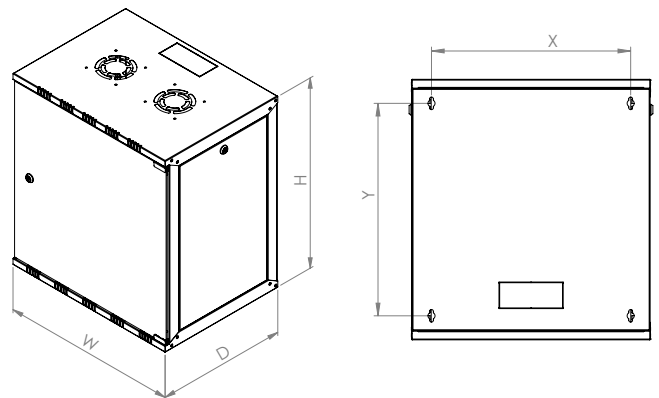
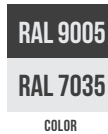
WITH OPENABLE SIDE PANELS FROM OUTSIDE

Technical Features

Material	1-1, 2-1,5 mm steel
Color	RAL 7035 or RAL 9005
Maximum Static Load	Up to 10 kg.
Finish	Electrostatic Powder Paint

Standard Configuration

- Steel frame
- Glass door with cylindrical lock
- Openable side panels from outside
- 1 Pair of 19" Mounting Rails
- RoHS compliant, UL Certificated
- Flat Pack option available



Height (U)	Outer Width (W) mm	Outer Depth (D) mm	Outer Height (H) mm	Inner Width mm	Inner Depth mm	Inner Height mm	19" Rails Adjustable Depth Range (c)	X	Y	Weight (kg)	Part No
6U	540	400	322	495	370	280	64-310	450	213	9	WEO-X-06F4A
6U	540	450	322	495	420	280	64-360	450	213	10	WEO-X-06FDA
6U	540	550	322	495	520	280	64-460	450	213	11	WEO-X-06F5A
9U	540	400	455	495	370	280	64-310	450	346	11	WEO-X-09F4A
9U	540	450	455	495	420	280	64-360	450	346	12	WEO-X-09FDA
9U	540	550	455	495	520	280	64-460	450	346	13	WEO-X-09F5A
12U	540	400	588	495	370	280	64-310	450	480	14	WEO-X-12F4A
12U	540	450	588	495	420	280	64-360	450	480	15	WEO-X-12FDA
12U	540	550	588	495	520	280	64-460	450	480	16	WEO-X-12F5A
15U	540	400	721	495	370	280	64-310	450	613	17	WEO-X-15F4A
15U	540	450	721	495	420	280	64-360	450	613	18	WEO-X-15FDA
15U	540	550	721	495	520	280	64-460	450	613	19	WEO-X-15F5A

X (Color code): 7:RAL 7035 Light Grey, 9:RAL 9005 Black