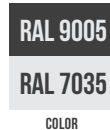


# 10" SOHO

## WALL MOUNT CABINET

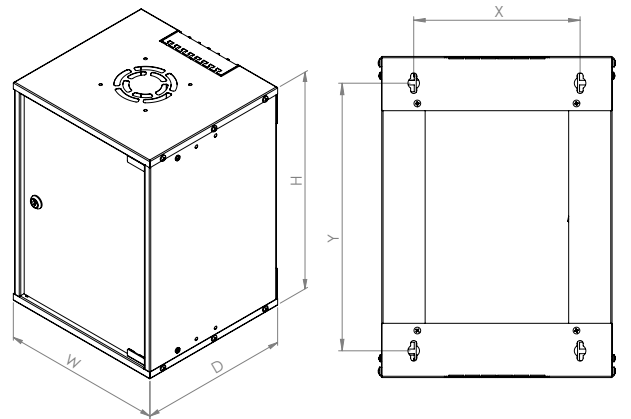


### Technical Features

<b>Material</b>	0.8 mm steel
<b>Color</b>	RAL 7035 or RAL 9005
<b>Maximum Static Load</b>	Up to 50 kg.
<b>Finish</b>	Electrostatic Powder Paint

### Standard Configuration

- Steel Frame
- Glass door with cylindrical lock
- Openable side panels
- 1 Pair of heavy duty 10" mounting rails
- RoHS compliant, UL certificated



Height (U)	Outer Width (W) mm	Outer Depth (D) mm	Outer Height (H) mm	Inner Width mm	Inner Depth mm	Inner Height mm	19" Rails Adjustable Depth Range (c)	X	Y	Weight (kg)	Part No
4U	320	300	222	260	275	190	55-145	230	147	4	WC1T-X-0433A
6U	320	300	312	260	275	280	55-145	230	236	5	WC1T-X-0633A
7U	320	300	356	260	275	324	55-145	230	280	5,5	WC1T-X-0733A
9U	320	300	444	260	275	414	55-145	230	369	6	WC1T-X-0933A
12U	320	300	577	260	275	547	55-145	230	503	8	WC1T-X-1233A
15U	320	300	711	260	275	680	55-145	230	636	9	WC1T-X-1533A

X (Color code): 7:RAL 7035 Light Grey, 9:RAL 9005 Black