

DOUBLE SECTION

WALL MOUNT CABINET

Technical Features

Material	1-1, 2-2 mm steel
Color	RAL 7035 or RAL 9005
Maximum Static Load	Up to 10 kg.
Finish	Electrostatic Powder Paint

Standard Configuration

- Steel frame
- Glass door with cylindrical lock
- Accessible from rear side with double hinged design
- 1 Pair of heavy duty 19" Mounting Rails
- Horizontal cable organizer on the back side
- RoHS compliant, UL Certified



CERTIFIED

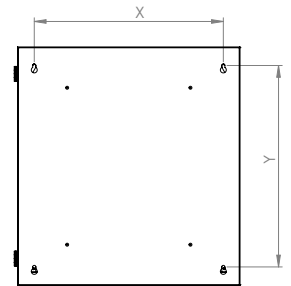
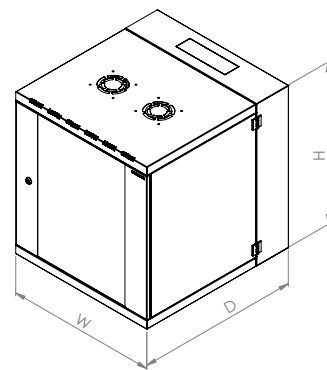


MAX. STATIC LOAD

RAL 9005

RAL 7035

COLOR



Height (U)	Outer Width (W) mm	Outer Depth (D) mm	Outer Height (H) mm	Inner Width mm	Inner Depth mm	Inner Height mm	19" Rails Adjustable Depth Range (c)	X	Y	Weight (kg)	Part No
6U	600	300+150	376	500	260+150	269	66-191	510	276	16	WS3D-X-066DA
6U	600	500+150	376	500	460+150	269	66-391	510	276	18	WS3D-X-066HA
9U	600	300+150	510	500	260+150	402	66-191	510	410	18	WS3D-X-096DA
9U	600	500+150	510	500	460+150	402	66-391	510	410	21	WS3D-X-096HA
12U	600	300+150	643	500	260+150	535	66-191	510	543	23	WS3D-X-126DA
12U	600	500+150	643	500	460+150	535	66-391	510	543	27	WS3D-X-126HA
15U	600	300+150	776	500	260+150	668	66-191	510	676	30	WS3D-X-156DA
15U	600	500+150	776	500	460+150	668	66-391	510	676	33	WS3D-X-156HA
18U	600	300+150	910	500	260+150	801	66-191	510	810	34	WS3D-X-186DA
18U	600	500+150	910	500	460+150	801	66-391	510	810	38	WS3D-X-186HA
21U	600	300+150	1044	500	260+150	934	66-191	510	943	37	WS3D-X-216DA
21U	600	500+150	1044	500	460+150	934	66-391	510	943	41	WS3D-X-216HA
24U	600	300+150	1176	500	260+150	1067	66-191	510	1076	40	WS3D-X-246DA
24U	600	500+150	1176	500	460+150	1067	66-391	510	1076	44	WS3D-X-246HA

X (Color code): 7:RAL 7035 Light Grey, 9:RAL 9005 Black