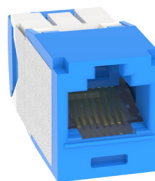


Mini-Com® TX6A™ 10Gig Corrosive Resistant UTP Jack Modules with MaTriX Technology

SPECIFICATIONS

Category 6A/Class E_A, 8-position, UTP jack module shall terminate 4-pair, 22 AWG - 26 AWG, 100 ohm unshielded twisted pair cable and shall not require a punchdown tool. Polymer based gel shall protect electrical contacts and internal components by reducing the ingress of moisture and other corrosive elements such as salt for improved long term performance. The termination cap shall be color-coded blue to designate Category 6A performance. Providing Category 6A performance the TX6A Corrosive Resistant Jack is also compatible with Category 6 and 5e systems. It shall include a universal label coded for T568A and T568B wiring schemes. The Mini-Com TX6A 10Gig Corrosive Resistant UTP Jack Module must be installed as part of the TX6A 10Gig UTP Copper Cabling System to achieve IEEE 10GBASE-T certified performance.



TECHNICAL INFORMATION

Category 6A/Class E_A performance:	Exceeds channel requirements of ANSI/TIA-568.2-D Category 6A and ISO 11801 Class E _A standards at swept frequencies 1 to 500 MHz. Two corrosive resistant jacks can be used per channel while maintaining Category 6A/Class E _A performance
FCC and ANSI compliance:	Meets ANSI/TIA-1096-A contacts plated with 50 microinches of gold for superior performance
IEC compliance:	Meets IEC 60603-7 and IEC 60512-99-002
RoHS compliance:	Compliant
PoE & PoH compliance:	Meets IEEE 802.3af / 802.3at and 802.3bt type 3 and type 4 Supports Power over HDBaseT up to 100 watts
c(UL)us Listed:	UL 1863 (Use as communications circuit accessory); CSA standard C22.2 UL 2043 (Suitable for use in air-handling spaces)
Conductor termination range:	Wire cap compatible with 22 AWG - 26 AWG solid or stranded cable with conductor insulation diameters of 0.06 in. (1.5mm) max and overall cable O.D. 0.2 in. - 0.33 in. (5.1mm - 8.4mm)
Operating Temperature:	14°F to 167°F (-10°C to 75°C)

KEY FEATURES AND BENEFITS

100% Performance tested	Confidence that each jack module will deliver the critical electrical performance requirements
Polymer based gel	Protects electrical contacts and internal components by reducing the ingress of moisture and other corrosive elements such as salt for improved long term performance; operation life 5+ insertions
Modular	UTP jack modules snap in and out of all Mini-Com Faceplates, Modular Patch Panels and Surface Mount Boxes for easy moves, adds, and changes.
Alien crosstalk suppression	Innovative MaTriX split foil technology provides superior alien crosstalk performance enabling high density applications (48-ports, 1 RU)
Individually serialized	Marked with quality control number for future traceability
Termination tools (optional)	EGJT-1 termination tool ensures conductors are fully terminated by utilizing a smooth forward motion without impact on critical internal components for maximum reliability; TGJT termination tool ideal for high volume installations

APPLICATIONS

Mini-Com TX6A 10Gig Corrosive Resistant UTP Jack Modules are a component of the TX6A 10Gig UTP Copper Cabling System with MaTriX Technology. This end-to-end system provides a cost effective medium for ensuring that network bandwidth needs are easily met today and in the future. The solution helps ensure organizations efficiently and reliably meet their data transmission needs. With certified performance to the ISO 11801 Class E_A, IEEE 802.3an-2006 and ANSI/ TIA-568.2-D Category 6A Standards, this system will support high bandwidth applications like 10GBASE-T and HDBaseT and is ideal for running next generation Power over Ethernet (POE++).

Mini-Com TX6A 10Gig Corrosive Resistant UTP Jack Modules with MaTriX Technology

Jack module: CJE6X88TG*

Tools and Accessories

Jack module termination tool:	TGJT or EGJT-1
Wire snipping tool:	CWST
Wire stripping tool:	CJAST
Clear dust cap:	MDC-C
Phone icons:	CIPIW-C
Data icons:	CID+-C

*Colors: IW (Off White), BL (Black), BU (Blue), RD (Red)

+Colors: WH (White), BU (Blue), RD (Red), YL (Yellow), GR (Green), OR (Orange)

-C indicates bulk packages of 100 pieces to reduce single-use plastic

Mini-Com® TX6A™ 10Gig Corrosive Resistant UTP Jack Modules with MaTriX Technology

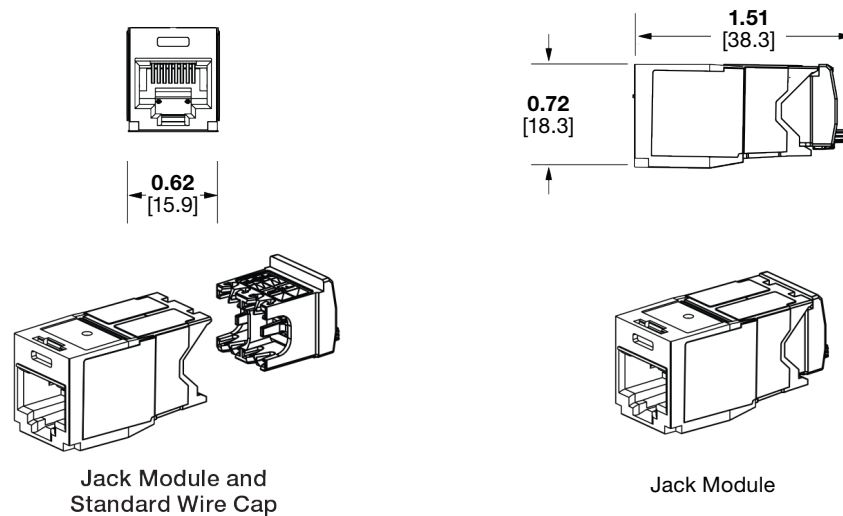
ADDITIONAL SPECIFICATIONS

Mechanical Test	Test Method	Measurement	Typical Test Results
Normal Force	ANSI/TIA-1096-A	Load (grams)	> 100
Vibration	IEC 512-6d	Circuit Resistance (mOhms)	< 40
Shock	IEC 512-6c	Contact Disturbance (microsecond)	< 5
Durability	IEC 512-6a	Circuit Resistance (mOhms)	< 20
Mating/Un-mating	IEC 512-6b	Mating Force (N)	< 20
		Un-mating Force (N)	< 20
Termination Cycles	IEC 352	Number of Cycles	> 3
Mating Cycles	IEC 60603-7	Number of Plug Insertions	> 5

Electrical Test	Test Method	Measurement	Typical Test Results
Low Level Circuit Resistance	IEC 512-2a	Resistance (mOhms)	< 20
Dielectric Withstand Voltage	IEC 512-4a	1000 VAC, 1 minute	Passed
Insulation Resistance	IEC 512-3a	Resistance (MOhms)	> 500

Environmental Test	Test Method	Measurement	Typical Test Results
Temperature Life	IEC 512-9b	Circuit Resistance (mOhms)	< 40
Humidity	IEC 512-11c		
Thermal Shock	IEC 512-11d		
Climatic Sequence	IEC 512-11a		
Flowing Mixed Gas Corrosion	IEC 512-11g		

ENGINEERING DRAWINGS



Dimensions are in inches. [Dimensions in brackets are metric].

WORLDWIDE SUBSIDIARIES AND SALES OFFICES

PANDUIT US/CANADA
Phone: 800.777.3300

PANDUIT EUROPE LTD.
London, UK
Phone: 44.20.8601.7200

PANDUIT SINGAPORE PTE. LTD.
Republic of Singapore
Phone: 65.6305.7575

PANDUIT JAPAN
Tokyo, Japan
Phone: 81.3.6863.6000

PANDUIT LATIN AMERICA
Guadalajara, Mexico
Phone: 52.33.3777.6000

PANDUIT AUSTRALIA PTY. LTD.
Victoria, Australia
Phone: 61.3.9794.9020

For a copy of Panduit product warranties, log on to www.panduit.com/warranty

For more information

Visit us at www.panduit.com
Contact Customer Service by email: cs@panduit.com
or by phone: 800.777.3300

PANDUIT®

© 2024 Panduit Corp.
ALL RIGHTS RESERVED.
COSP534-WW-ENG
7/2024