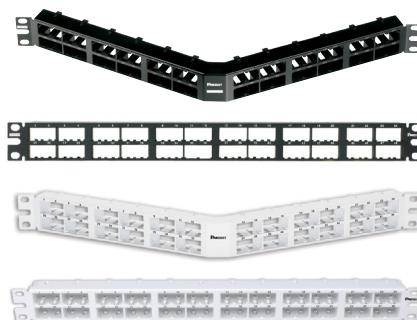


Mini-Com® High Density Modular Patch Panels

SPECIFICATIONS

High density modular patch panels shall consist of a metal panel with molded front or rear snap-in faceplates. Patch panels shall accept all Mini-Com Modules for UTP, STP, A/V or select fiber and shall mount to standard 19" racks. Patch Panels shall be available in 32-port (1 RU), 48-port (1 RU) and 72-port (2 RU). Select styles shall be available in white. Flush mount panels shall be easy to identify with pre-numbered ports. Angled patch panels shall be designed at an optimum angle to help route the cable.



TECHNICAL INFORMATION

| | |
|--------------------------|--|
| Mounting options: | Mounts to standard 19" rack |
| Material: | Stamping is CRS and faceplate is ABS |
| Packaging: | Packaged with appropriate pre-installed snap in faceplates and a set of mounting screws (#12-24) |

KEY FEATURES AND BENEFITS

| | |
|---------------------------------------|---|
| Modular: | Panels with front snap-in faceplates will accept any Mini-Com® Modules and panels with rear snap-in faceplates will accept all UTP, STP, A/V and most fiber modules |
| Angled design: | Minimizes the need for horizontal cable managers enabling patch cords to be routed directly into vertical cable managers which leads to increase closet density |
| Port and panel identification: | Pre-numbered ports and labeling capabilities on select panels |
| Optional filler panels: | Flat and angled design fill unused rack openings to provide a clean and consistent look when used with any version of Panduit patch panels |
| Optional extender bracket: | Allows 19" patch panels to be mounted on a 23" rack |
| High density: | More modules per rack space |

APPLICATIONS

Mini-Com® High Density Patch Panels are ideal for multi-media applications. Flat and angled designs are available in various port densities to fit most needs. Flush mount style includes pre-numbered ports or area for adhesive labeling, select faceplate style panels with label pockets include prenumbered labels and covers. Angled patch panels are available for applications in which rack space is limited. The design allows cable to flow to each side of the rack, minimizing the need for horizontal cable managers and increasing the density of the rack space. High density patch panels can mount on a standard 19" rack or a 23" rack when using the extender brackets PEB1 or PEB2.

Mini-Com® High Density Flat Style, Flush Mount

| | |
|--|--------------|
| 48-port, 1 RU: | CPP48HDW* |
| 48-port, 1 RU (extended area for labeling): | CPP48HDEW** |
| 48-port, 1 RU (vertical numbering): | CPP48HDVNSW* |
| 72-port, 2 RU: | CPP72FMWBLY |

Mini-Com High Density Angled Style, Flush Mount

| | |
|--|----------------|
| 48-port, 1 RU: | CPPA48HDW* |
| 48-port, 1 RU (extended area for labeling): | CPPA48HDEW** |
| 48-port, 1 RU (vertical numbering): | CPPA48HDVNSW** |
| 72-port, 2 RU: | CPPA72FMWBLY |

Mini-Com High Density Patch Panels Faceplate Style

| | |
|-------------------------------|-------------|
| 32-port, 1 RU, flat: | CPP32WBLY |
| 72-port, 2 RU, flat: | CPPL72WBLY |
| 72-port, 2 RU, angled: | CPPLA72WBLY |

Patch Panel Accessories

| | |
|-----------------------------------|---------|
| Black Transitional cover: | CPATC** |
| Angled filler panel, 1 RU: | CPAF1* |
| Angled filler panel, 2 RU: | CPAF2* |
| Flat filler panel, 1 RU: | DPFP1^ |
| Flat filler panel, 2 RU: | DPFP2^ |

Extender Brackets

| | |
|--------------|------|
| 1 RU: | PEB1 |
| 2 RU: | PEB2 |

*Colors: BLY (Black) or WH (White)

**Colors: BL (Black) or WH (White)

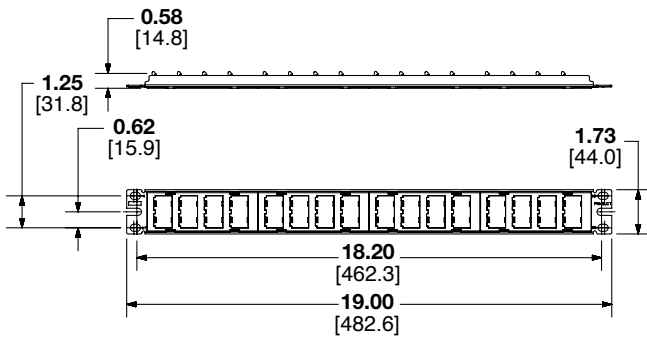
^Colors other than Black: WH (White)

LABEL CHART

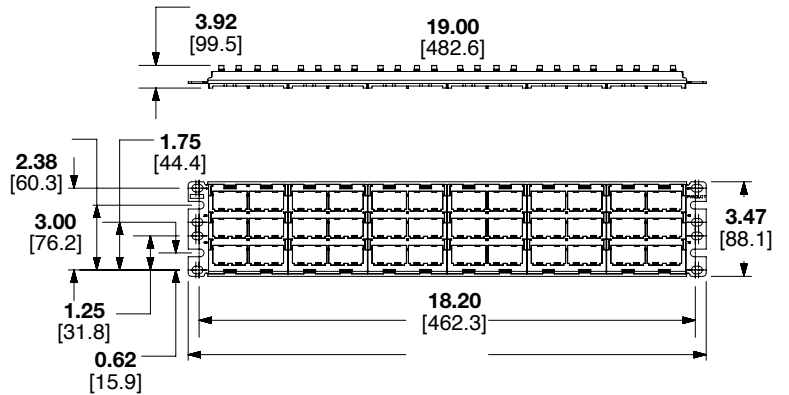
| Part numbers with labeling options: | Label Type | Replacement for label pocket | Laser/Ink | MP300 |
|-------------------------------------|------------|------------------------------|-------------|----------------|
| CPP32WBLY | Adhesive | — | T024X000FJT | T024X000FJM-BK |
| CPP48HDEWBL | | | | |
| CPP48HDEWWH | | | | |
| CPPA48HDEWBL | | | | |
| CPPA48HDEWWH | | | | |
| CPP72FMWBLY | | | | |
| CPPA72FMWBLY | Pocket | C72PPLK | | |
| CPPL72WBLY | | | | |
| CPPLA72WBLY | | | | |

ENGINEERING DRAWING

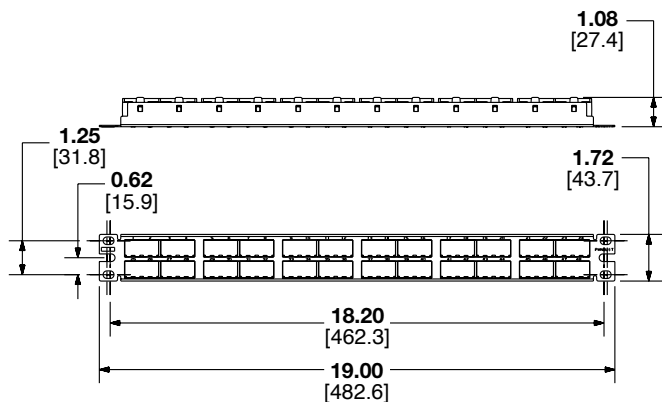
CPP32WBLY



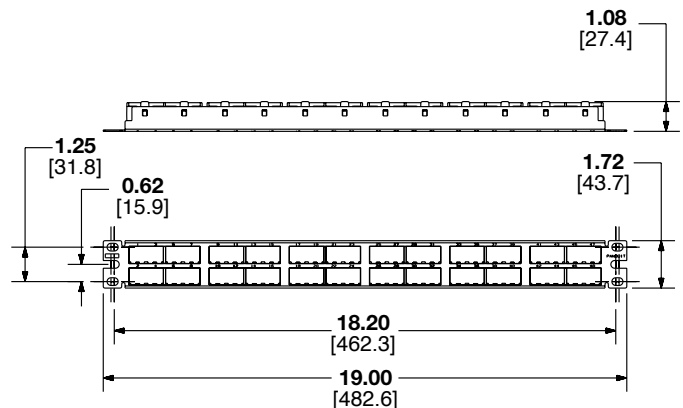
CPPL72WBLY



CPP48HDWBLY
CPP48HDWWH

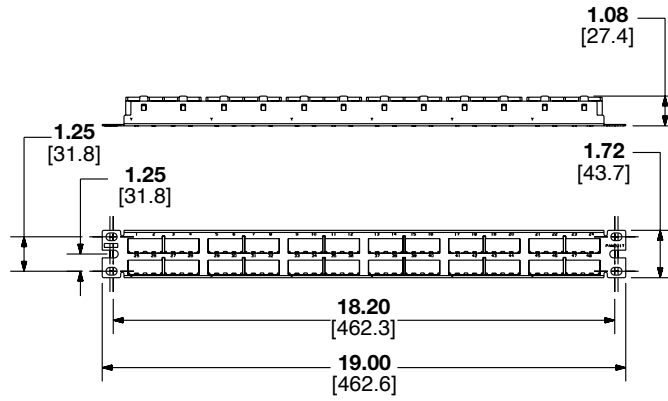


CPP48HDVNSWBL

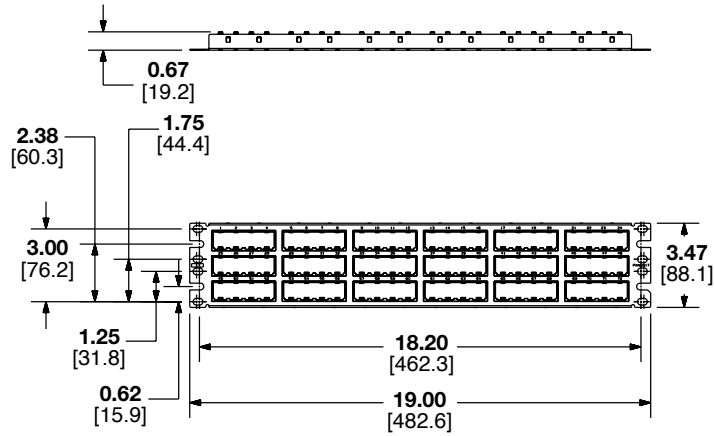


Mini-Com® High Density Modular Patch Panels

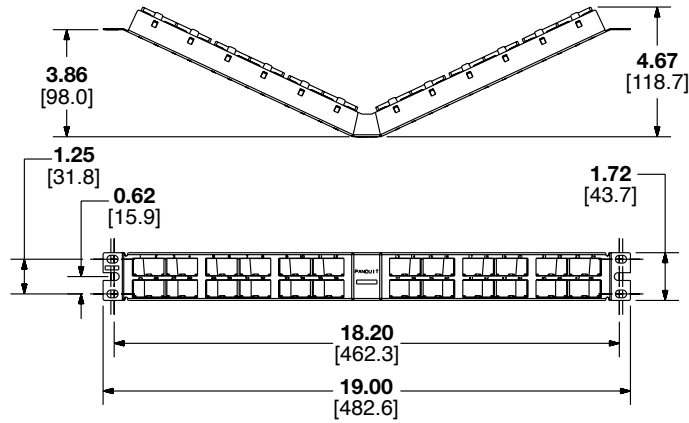
CPP48HDEWBL
CPP48HDEWWH



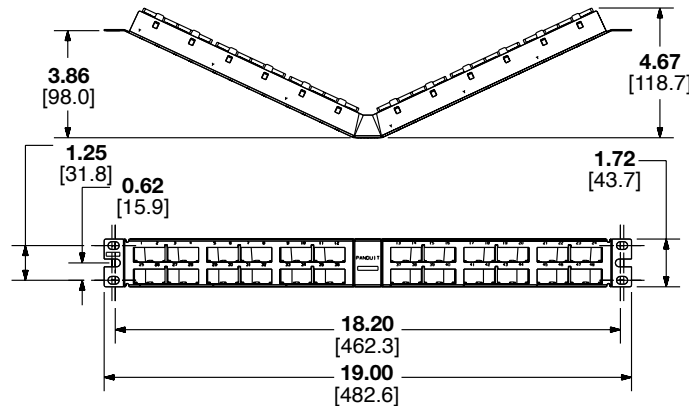
CPP72FMWBLY



CPPA48HDWBLY
CPPA48HDWWH

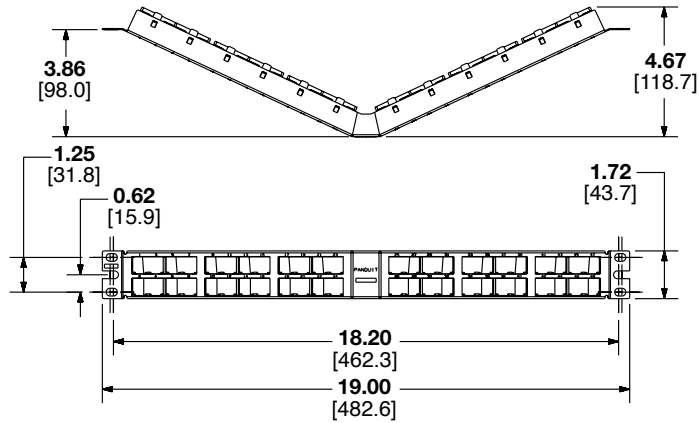


CPPA48HDEWBL
CPPA48HDEWWH

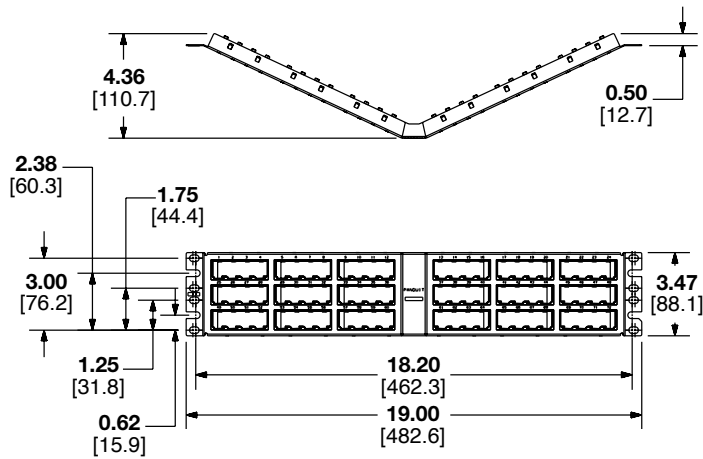


Mini-Com® High Density Modular Patch Panels

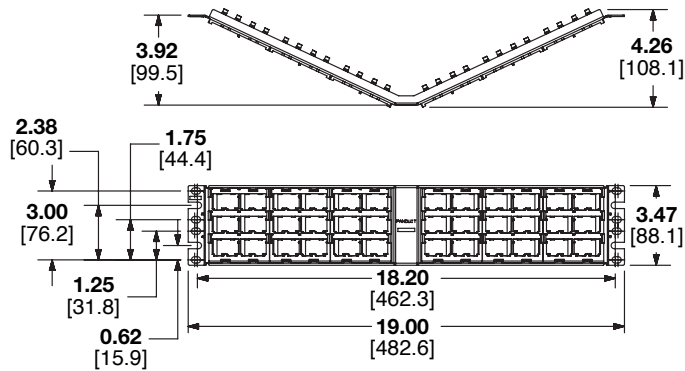
CPPA48HDVNSWBL



CPPA72FMWBLY



CPPLA72WBLY



Dimensions are in inches. [Dimensions in brackets are metric].

WORLDWIDE SUBSIDIARIES AND SALES OFFICES

PANDUIT US/CANADA
Phone: 800.777.3300

PANDUIT EUROPE LTD.
London, UK
Phone: 44.20.8601.7200

PANDUIT SINGAPORE PTE. LTD.
Republic of Singapore
Phone: 65.6305.7575

PANDUIT JAPAN
Tokyo, Japan
Phone: 81.3.6863.6000

PANDUIT LATIN AMERICA
Guadalajara, Mexico
Phone: 52.33.3777.6000

PANDUIT AUSTRALIA PTY. LTD.
Victoria, Australia
Phone: 61.3.9794.9020

For a copy of Panduit product warranties, log on to www.panduit.com/warranty

For more information

Visit us at www.panduit.com
Contact Customer Service by email: cs@panduit.com
or by phone: 800.777.3300

PANDUIT®

© 2024 Panduit Corp.
ALL RIGHTS RESERVED.
COSP591-WW-ENG
4/2024